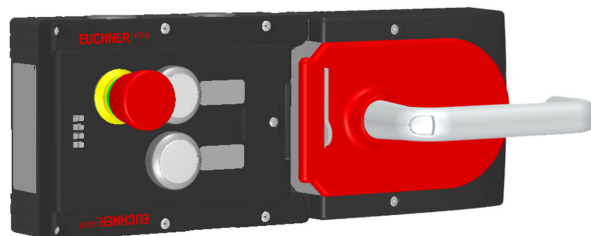


## MGB-L1H-ARA-R-121256 (ORDER NO. 121256)

Locking set MGB-L1H-ARA..., (guard locking by spring force) with 2 push buttons, emergency stop, incl. label carrier

- ▶ Guard locking with guard lock monitoring
- ▶ Can be connected in series with other AR devices (e.g. CES-AR and CET-AR)
- ▶ Emergency stop according to ISO 13850
- ▶ 2 pushbuttons (illuminated)
- ▶ With lens set, 6 pcs.
- ▶ incl. adhesive labels
- ▶ With cable entry
- ▶ Unicode



### Description

#### Guard locking type

MGB-L1... The locking arm is held in the locked position by spring force and is unlocked by solenoid force (closed-circuit current principle, mechanically locked).

#### Door stop

A mechanical door stop is permanently integrated into the evaluation module of the MGB. A marking on the stop makes adjustment easier.

#### LED indicator

The LED indicator indicates all important system and status information.

#### Monitoring outputs

- OD ON when the door is closed
- OT Bolt tongue inserted into the evaluation module
- OL Guard locking solenoid in locked position
- OI Diagnostics; there is a fault

#### Emergency stop device

S1 2 positively driven contacts and 1 NO contact (e.g. monitoring contact), emergency stop with turn-to-reset, not illuminated

#### Pushbutton

- S2 1 NO contact, illuminated
- S3 1 NO contact, illuminated

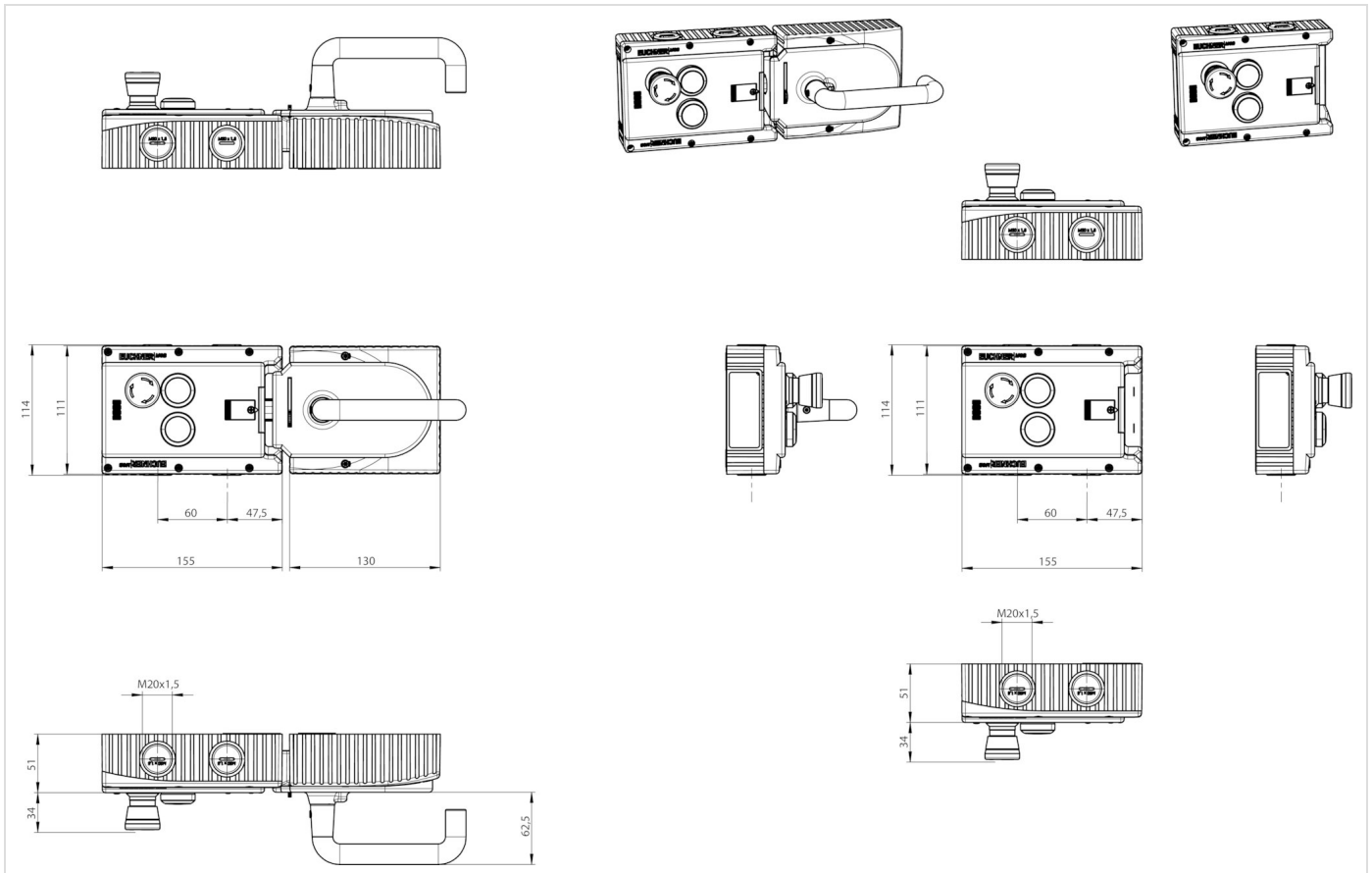
## Lens set

The color of the pushbutton can be selected using the lens set included (5 colors). Item no.: 120344 (see Accessories)

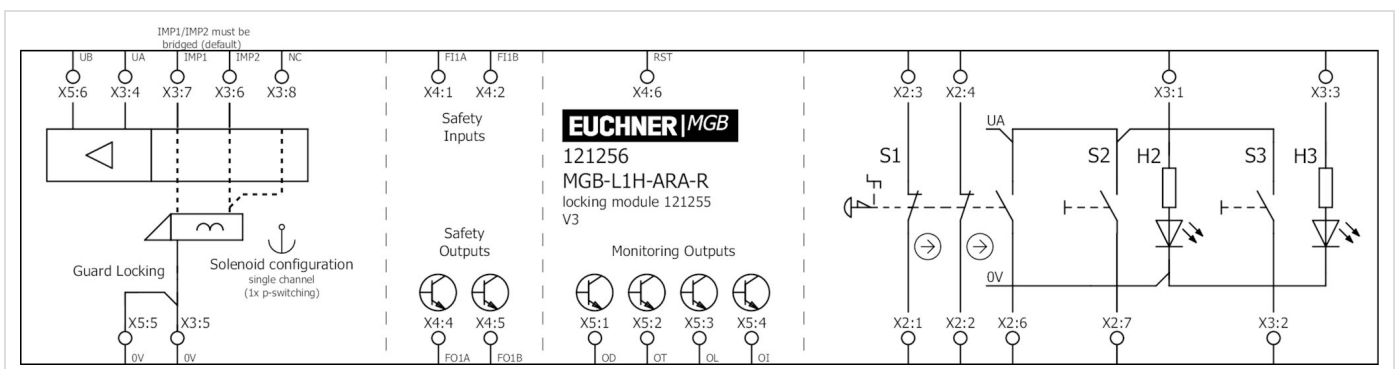
## Adhesive labels

Devices with adhesive labels have pre-formed recesses. The adhesive labels enclosed (standard size 12.5 x 27 mm) can be affixed in these recesses.

## Dimension drawing

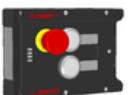


## Cable entry



## Technical data

Locking module MGB-L1-ARA-AM3A1-M-R-121255 (Order no. 121255)



## Mechanical values and environment

Housing material	Housing	Reinforced plastic; die-cast zinc nickel-plated, stainless steel
Weight	Net	0,75 kg
Ambient temperature	At $U_B = 24V$ DC	-20 ... 55 °C
Degree of protection		IP65
Mechanical life		1 x 10 <sup>6</sup>
	In case of use as door stop, and 1 Joule impact energy	0,1 x 10 <sup>6</sup>
Installation orientation		Door hinge DIN right
Switching frequency		0,25 Hz
Connection		Cable entries M20x1.5
Guard locking principle		Closed-circuit current principle
Locking force $F_{Zh}$		2000 N

## Electrical connection ratings

Utilization category acc. to EN 60947-5-2

	DC-13	24V 200mA (Caution: outputs must be protected with a free-wheeling diode in case of inductive loads.)
Rated insulation voltage $U_i$		30 V
Rated impulse withstand voltage $U_{imp}$		1,5 kV
Degree of contamination (external, according to EN 60947-1)		3
Connection cross-section	(Rigid/flexible)	0,13 ... 1,5 mm <sup>2</sup> ((AWG 24 ... AWG 16))
	(Rigid/flexible) with cable end sleeve according to DIN 46 228/1	0,25 ... 1,5 mm <sup>2</sup>
	(Rigid/flexible) with cable end sleeve with collar according to DIN 46 228/1	0,25 ... 0,75 mm <sup>2</sup>
Safety class		III
Discrepancy time	Between FO1A and FO1B	max.10 ms
Risk time according to EN 60947-5-3		max.350 ms
Transponder coding		Unicode
		<b>Power supply <math>U_B</math></b>
Operating voltage DC	$U_B$	24 V DC -15% ... 10% ((Reverse polarity protected, regulated, residual ripple <5%, PELV))
Current consumption	$I_{UB}$	max.80 mA ((no load on outputs))
		<b>Power supply <math>U_A</math></b>
Operating voltage DC	$U_A$	24 V DC -15% ... 10% ((Reverse polarity protected, regulated, residual ripple <5%, PELV))
Current consumption	$I_{UA}$	max.375 mA

((With energized guard locking solenoid and unloaded outputs OD, OT, OL, OI, +20 °C, 24V))

#### Safety outputs FO1A, FO1B

Test pulses	max.1 ms
Test-pulse interval	min.100 ms
Type of output	Semiconductor outputs, p-switching, short circuit-proof
Output voltage	$U_{FO1A} / U_{FO1B}$ HIGH UB-2V ... UB V DC (Value at a switching current of 50mA without taking into account the cable lengths)
	$U_{FO1A} / U_{FO1B}$ LOW 0 ... 1 V DC
Output current	Per safety output FO1A / FO1B 1 ... 200 mA

#### Monitoring outputs OD, OT, OL, OI

Type of output	Semiconductor outputs, p-switching, short circuit-proof
Output voltage	UA-2V ... UA V DC (Value at a switching current of 50mA without taking into account the cable lengths)
Output current	max.50 mA

#### Controls and indicators

Switching voltage	$U_A$ V
Switching current	1 ... 10 mA
Breaking capacity	max.0,25 W
Power supply LED	24 V DC

#### Emergency stop

Switching voltage	5 ... 24 V
Switching current	1 ... 100 mA
Breaking capacity	max.0,25 W
Power supply LED	24 V DC

#### Solenoid control input IMP1, IMP2, IMM

Test pulses	max.5 ms
Test-pulse interval	min.100 ms

#### Other

Additional feature	Incl. cover set ID. No. 120344
Product version number	V4.0.0
Slide-in label	2 pcs. without marking

Reliability values according to EN ISO 13849-1

## Emergency stop

B10 <sub>D</sub>	
Emergency stop	0,13 x 10 <sup>6</sup>
<b>Control of the guard locking</b>	
Category	4
Performance Level	PL e
PFH <sub>D</sub>	2.8 x 10 <sup>-9</sup>
<b>Monitoring of guard locking and the safety guard position</b>	
Category	4
Performance Level	PL e
PFH <sub>D</sub>	3.7 x 10 <sup>-9</sup>
Mission time	20 y

## Handle module MGB-H-AA1A1-R-100464 (Order no. 100464)



### Mechanical values and environment

#### Housing material

Housing Reinforced plastic, die-cast zinc nickel-plated, stainless steel

#### Weight

Net 1,00 kg

Ambient temperature -20 ... 55 °C

Degree of protection IP65

Installation orientation Door hinge DIN right

### Other

Product version number V3.0.0

## Components



**121255**  
Locking module MGB-L1-ARA-AM3A1-M-R-121255

- ▶ Guard locking with guard lock monitoring
- ▶ Can be connected in series with other AR devices (e.g. CES-AR and CET-AR)
- ▶ Emergency stop according to ISO 13850
- ▶ 2 pushbuttons (illuminated)
- ▶ With lens set, 6 pcs.
- ▶ incl. adhesive labels
- ▶ With cable entry
- ▶ Unicode



**100464**  
Handle module MGB-H-AA1A1-R-100464

- ▶ Intelligent bolt tongue
- ▶ Lockout mechanism
- ▶ Door handle

## Accessories

### Connection material

## Built-in connector RC18

---

**120403**  
MGB-A-PLUGCONNECTOR-RC18-  
120403

- ▶ For all MGB with cable entry

## Function expansion

### Door handle for MGB-H...

---



**123926**  
MGB-A-DOORHANDLE-S2-123926

- ▶ Aluminum, silver anodized
- ▶ For mounting on all MGB handle modules MGB-H from V3.0.0



**110277**  
MGB-A-DOORHANDLE-S1-110277

- ▶ Aluminum, silver anodized
- ▶ For mounting on all MGB handle modules MGB-H up to V2.0.0

### Door knob for MGB-H...

---



**111460**  
MGB-A-DOORKNOB-S1-111460

- ▶ Aluminum, silver anodized
- ▶ For mounting on all MGB handle modules MGB-H... up to V2.0.0
- ▶ e.g. on sliding doors



**124030**  
MGB-A-DOORKNOB-S2-124030

- ▶ Aluminum, silver anodized
- ▶ For mounting on all MGB handle modules MGB-H... from V3.0.0
- ▶ e.g. on sliding doors

## Emergency unlocking for safety system MGB

---



**112989**  
MGB-A-EMERGENCYRELEASE-112989

- ▶ Quick emergency release
- ▶ sealable

## Escape release MGB-E-A...

---



**100465**  
MGB-E-A-100465

- ▶ Escape release from the danger zone
- ▶ Door handle signal red
- ▶ Extended actuation axis for thicker doors (available optionally)

## Miscellaneous accessories

### Adhesive labels

---

**111500**

MGB-A-ADHESIVELABEL-111500

114529  
MGB-A-PLATESET-NN01-114529

- ▶ Adhesive labels suitable for MGB evaluation modules, bus modules and control modules
- ▶ silver, blank
- ▶ Packaging unit = 10 pcs.

### Lens set 5 colors

---



120344  
AY-SET-LNS-0001-120344



163284  
AY-SET-LNS-0003-163284

### Lens set 6 colors

---



120378  
AY-SET-LNS-0002-120378

### Lens set labeled

---



125359  
AY-SET-LNS-SY02-125359



126158  
AY-SET-LNS-SY03-126158



120377  
AY-SET-LNS-SY01-120377



158307  
AY-SET-LNS-SY04-158307



160049  
AY-SET-LNS-SY05-160049

## Mounting accessories

### Mounting plate for all MGB handle modules

---



**109491**  
MGB-A-MOUNTINGPLATE-H-109491

- ▶ Easy and quick mounting (only two screws required)
- ▶ Quick module replacement
- ▶ Steel, powder coated
- ▶ Suitable for doors hinged on the right or left

### Mounting plate for evaluation modules MGB-L-AR-... and MGB-L-AP-...

---



**109490**  
MGB-A-MOUNTINGPLATE-L-109490

- ▶ Easy and quick mounting (only two screws required)
- ▶ Quick module replacement
- ▶ Steel, powder coated
- ▶ Suitable for doors hinged on the right or left

## Spare parts

### Handle module MGB-H-...

---

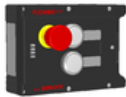


**100464**  
MGB-H-AA1A1-R-100464

- ▶ Intelligent bolt tongue
- ▶ Lockout mechanism
- ▶ Door handle

### Locking module MGB-L1-ARA..., (guard locking by spring force) with 2 push buttons, emergency stop, incl. label carrier

---



**121255**  
MGB-L1-ARA-AM3A1-M-R-121255

- ▶ Guard locking with guard lock monitoring
- ▶ Can be connected in series with other AR devices (e.g. CES-AR and CET-AR)
- ▶ Emergency stop according to ISO 13850
- ▶ 2 pushbuttons (illuminated)
- ▶ With lens set, 6 pcs.
- ▶ incl. adhesive labels
- ▶ With cable entry
- ▶ Unicode

## Contacts

🏠 EUCHNER GmbH + Co. KG  
Kohlhammerstraße 16  
70771 Leinfelden-Echterdingen

☎ +49 711 7597-0

📠 +49 711 753316

✉ info(at)euchner.de